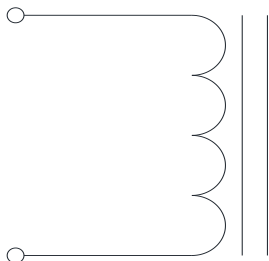


| Rev | Description | By | Date |
|-----|--|-----|-----------|
| B | Released for Production | MIG | 17-Mar-16 |
| C | Corrected pin dimensions and DC bias graph | AG | 17-Sep-20 |

ELECTRICAL SPECIFICATIONS @ 25°C

| | |
|-------------------|------------------------------|
| L: | 1.4μH±15% @ 10kHz, 1Vrms |
| Isat: | ΔL ≤ 10% @ 205A |
| | ΔL ≤ 30% @ 435A |
| Irms: | ΔT ≤ 20°C @ 80A |
| | ΔT ≤ 40°C @ 122A |
| DCR: | 0.4mΩ Max |
| Hipot: | 500Vdc, 1mA, 5s, wdg to core |
| Insulation Class: | Class H 180°C |
| RoHS Compliant: | Yes |

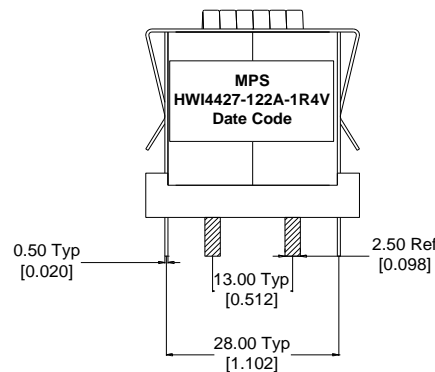
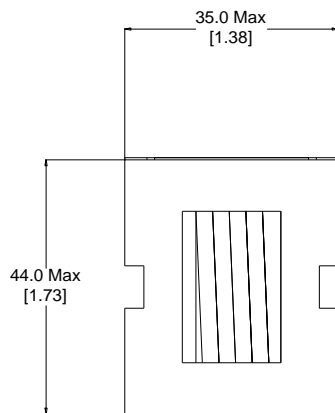
SCHEMATIC



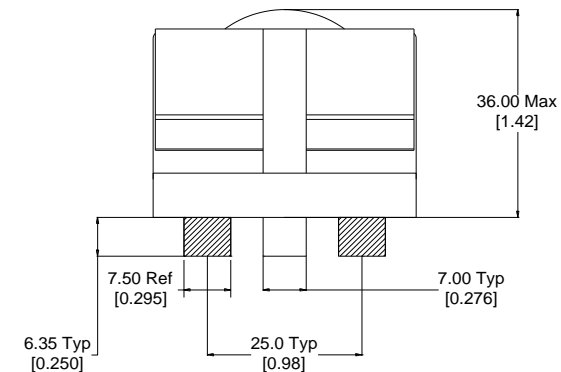
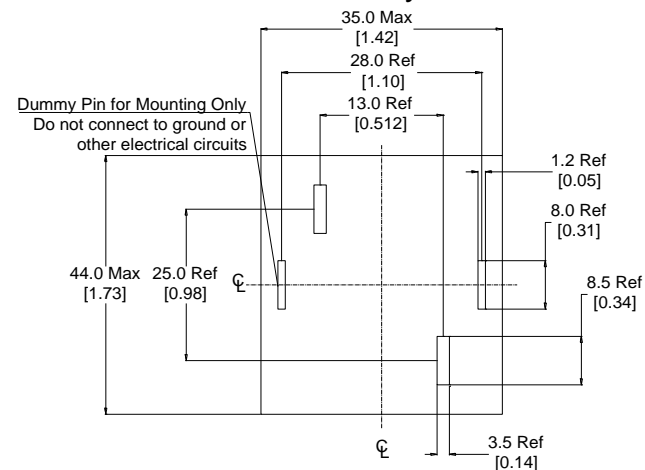
MARKING

MPS
HWI4427-122A-1R4V_REV#
Date Code

DIMENSIONS



Recommended PCB Layout



Dimensions: mm/[inch]

Notice of Proprietary Property

These drawings and specifications are the property of MPS and shall not be, reproduced, copied or used as the basis of manufacture of sale of apparatus without express written authorization

| | | | | | | | |
|---|--------------------------|-----------|------------------------|------------------|--|---|-----------------|
| Dimensions Unless otherwise specified .XX ± 0.254mm [.010"] .XXX ± 0.13mm [.005"] | DRAWN BY: CHECKED BY: | MIG KC | 17-Mar-16 18-Mar-16 | SIZE A | Description Helical Wound Inductor | Part Number HWI4427-122A-1R4V | REV C |
| | | | | | WEIGHT: 200 gms | SHEET: 1 OF 2 | |

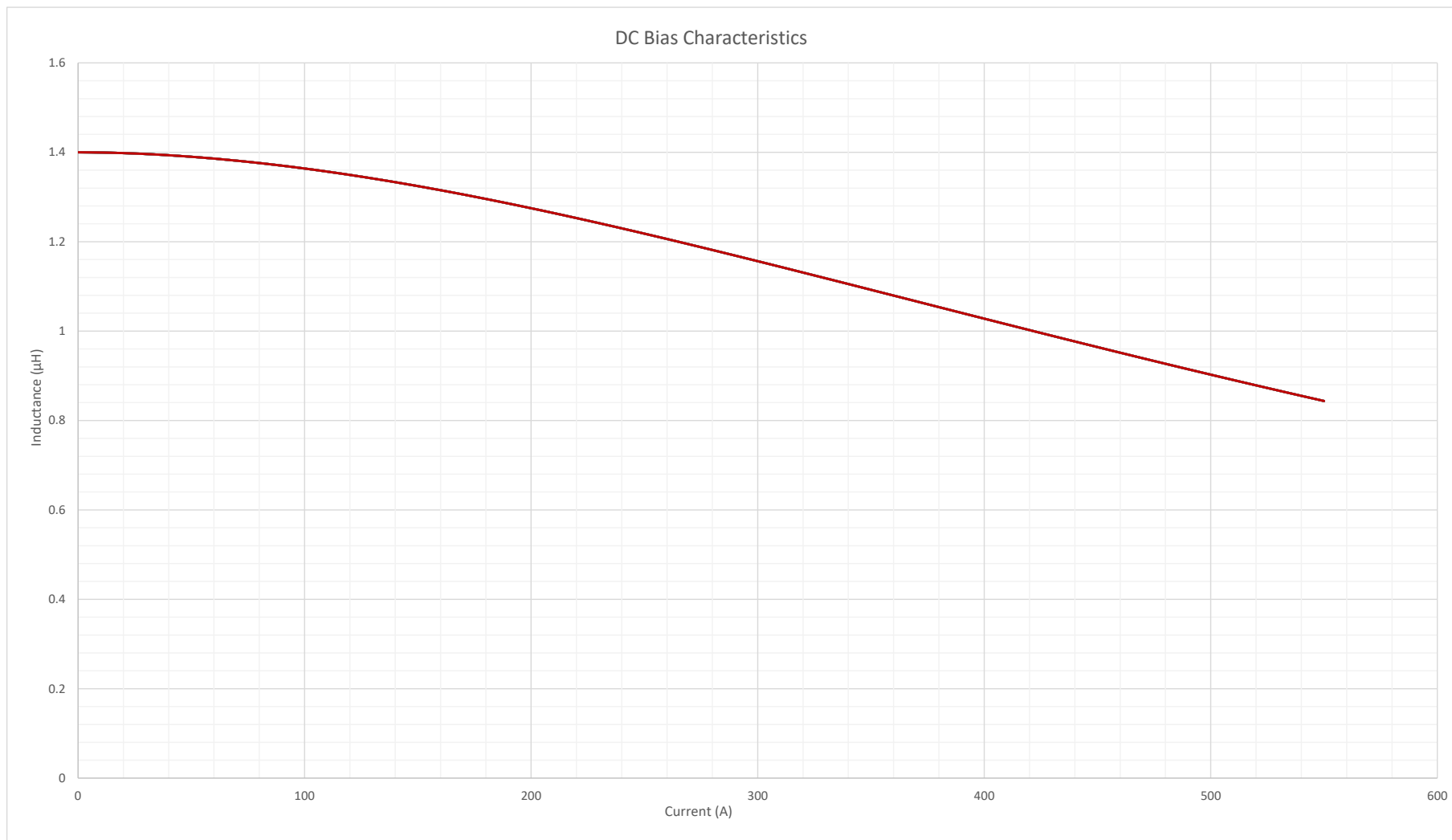


MPS INDUSTRIES, INC.

www.mpsind.com

Tel: (310) 325-1043 Fax: (310) 325-1044

| Rev | Description | By | Date |
|-----|--|-----|-----------|
| B | Released for Production | MIG | 17-Mar-16 |
| C | Corrected pin dimensions and DC bias graph | AG | 17-Sep-20 |



Notice of Proprietary Property

These drawings and specifications are the property of MPS and shall not be reproduced, copied or used as the basis of manufacture or sale of apparatus without express written authorization



MPS INDUSTRIES, INC.

www.mpsind.com

Tel: (310) 325-1043 Fax: (310) 325-1044

| | | | |
|-------------|--------------------------|-------------------------------|----------|
| Description | | Helical Wound Inductor | |
| Part Number | HWI4427-122A-1R4V | | REV |
| SCALE: X:X | WEIGHT: 200 gms | SHEET: 2 OF 2 | C |

| | | | | |
|---|--------------------------|-----------|------------------------|------------------|
| Dimensions Unless otherwise specified .XX ± 0.254mm [.010"] .XXX ± 0.13mm [.005"] | DRAWN BY: CHECKED BY: | MIG KC | 17-Mar-16 18-Mar-16 | SIZE A |
|---|--------------------------|-----------|------------------------|------------------|