

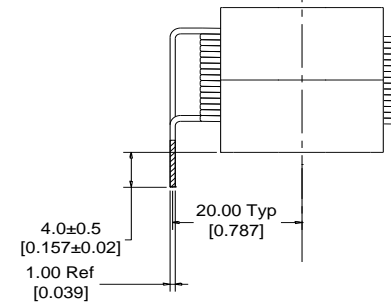
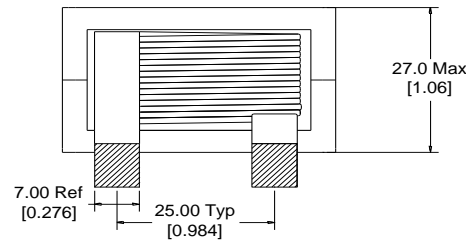
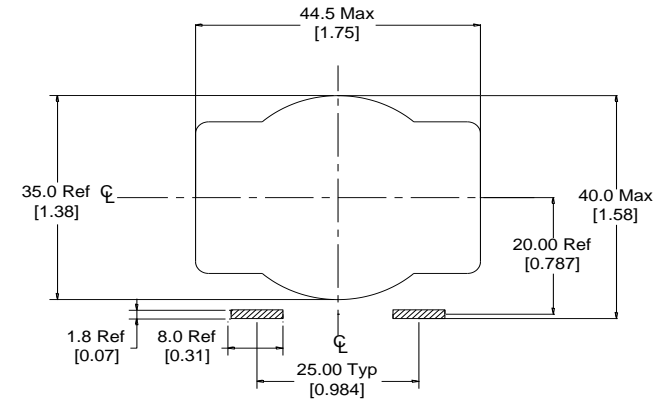
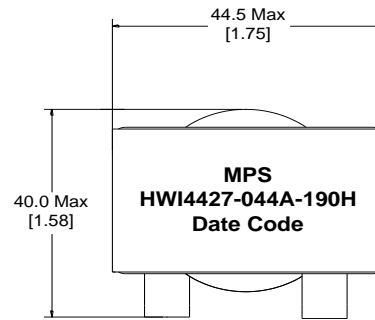
Rev	Description	By	Date
B	Released for Production	MIG	17-Mar-16
C	Corrected pin dimensions and DC bias graph	AG	17-Sep-20

### ELECTRICAL SPECIFICATIONS @ 25°C

L: 19μH±15% @ 10kHz, 1Vrms  
 Isat: ΔL ≤ 10% @58A  
 ΔL ≤ 30% @102A  
 Irms: ΔT ≤ 20°C @ 29A  
 ΔT ≤ 40°C @ 44A  
 DCR: 3.0mΩ Max  
 Hipot: 500Vdc, 1mA, 5s, wdg to core  
 Insulation Class: Class H 180°C  
 RoHS Compliant: Yes

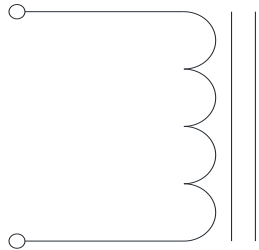
### DIMENSIONS

#### Recommended PCB Layout



Dimensions: mm/[inch]

### SCHEMATIC



### MARKING

MPS  
 HWI4427-044A-190H\_REV#  
 Date Code

#### Notice of Proprietary Property

These drawings and specifications are the property of MPS and shall not be reproduced, copied or used as the basis of manufacture or sale of apparatus without express written authorization



MPS INDUSTRIES, INC.

[www.mpsind.com](http://www.mpsind.com)

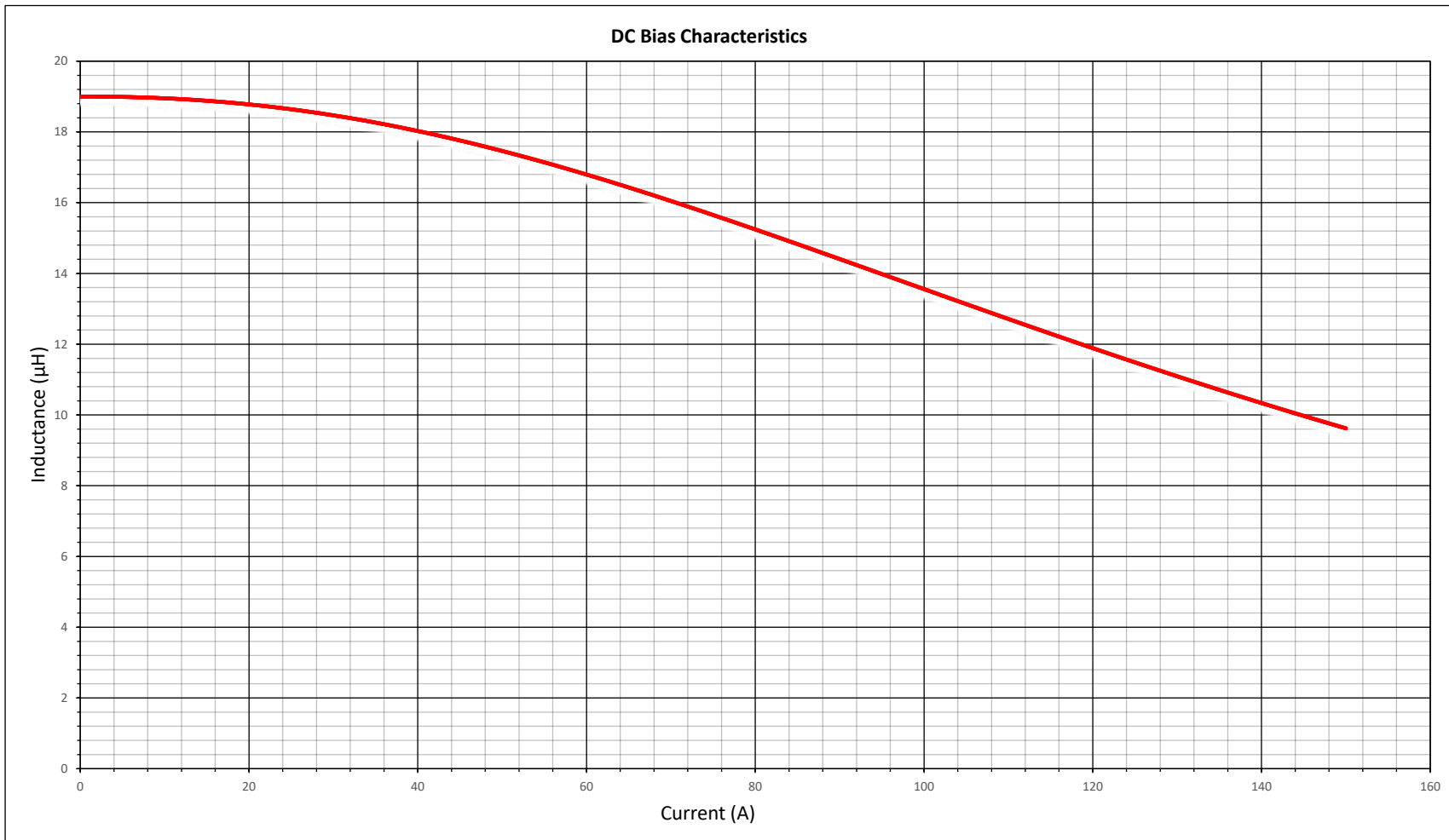
Tel: (310) 325-1043 Fax: (310) 325-1044

Description

**Helical Wound Inductor**

Dimensions	DRAWN BY:	MIG	17-Mar-16	SIZE	Part Number	REV
Unless otherwise specified .XX ± 0.254mm [.010"] .XXX ± 0.13mm [.005"]	CHECKED BY:	KC	18-Mar-16	<b>A</b>	<b>HWI4427-044A-190H</b>	<b>C</b>
					WEIGHT: 190 gms	SHEET: 1 OF 2

Rev	Description	By	Date
B	Released for Production	MIG	17-Mar-16
C	Corrected pin dimensions and DC bias graph	AG	17-Sep-20



**Notice of Proprietary Property**

These drawings and specifications are the property of MPS and shall not be, reproduced, copied or used as the basis of manufacture or sale of apparatus without express written authorization



**MPS INDUSTRIES, INC.**

www.mpsind.com

Tel: (310) 325-1043 Fax: (310) 325-1044

Description

**Helical Wound Inductor**

**Dimensions**  
Unless otherwise specified  
.XX ± 0.254mm [.010"]  
.XXX ± 0.13mm [.005"]

DRAWN BY:  
CHECKED BY:

MIG  
KC  
17-Mar-16  
18-Mar-16

SIZE  
**A**

Part Number

**HWI4427-044A-190H**

REV

**C**

SCALE: X:X

WEIGHT: 190 gms

SHEET: 2 OF 2