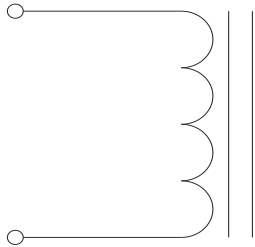


Rev	Description	By	Date
B	Released for Production	MIG	17-Mar-16
C	Corrected pin dimensions and DC bias graph	AG	17-Sep-20

ELECTRICAL SPECIFICATIONS @ 25°C

L: 45μH±15% @ 10kHz, 1Vrms
 Isat: ΔL ≤ 10% @25A
 ΔL ≤ 30% @48A
 Irms: ΔT ≤ 20°C @ 25A
 ΔT ≤ 40°C @ 38A
 DCR: 4.2mΩ Max
 Hipot: 500Vdc, 1mA, 5s, wdg to core
 Insulation Class: Class H 180°C
 RoHS Compliant: Yes

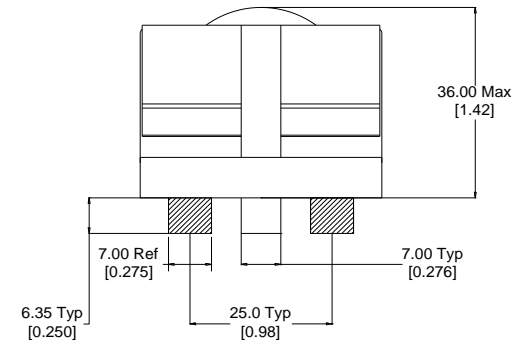
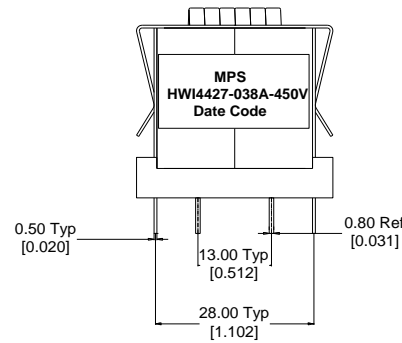
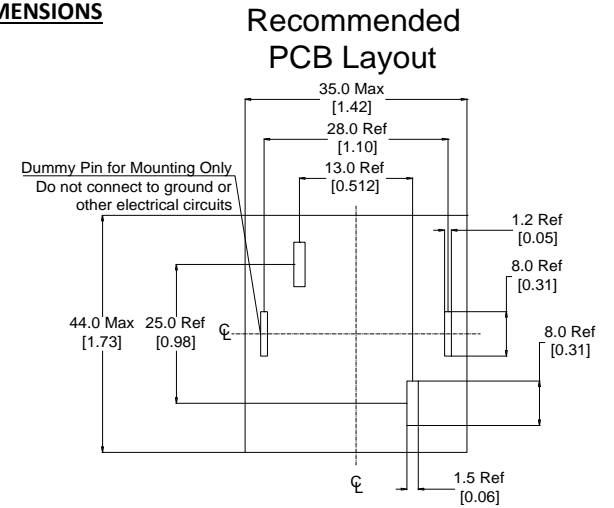
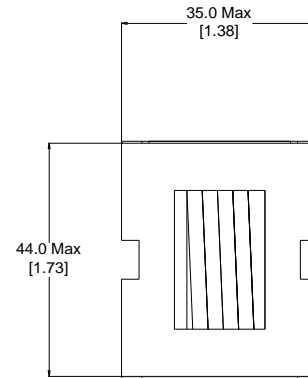
SCHEMATIC



MARKING

MPS
 HWI4427-038A-450V_REV#
 Date Code

DIMENSIONS



Dimensions: mm/[inch]

Notice of Proprietary Property

These drawings and specifications are the property of MPS and shall not be, reproduced, copied or used as the basis of manufacture of sale of apparatus without express written authorization

Dimensions Unless otherwise specified .XX ± 0.254mm [.010"] .XXX ± 0.13mm [.005"]	DRAWN BY: CHECKED BY:	MIG KC	17-Mar-16 18-Mar-16	SIZE A
---	--------------------------	-----------	------------------------	------------------



MPS INDUSTRIES, INC.

www.mpsind.com

Tel: (310) 325-1043 Fax: (310) 325-1044

Description

Helical Wound Inductor

Part Number

HWI4427-038A-450V

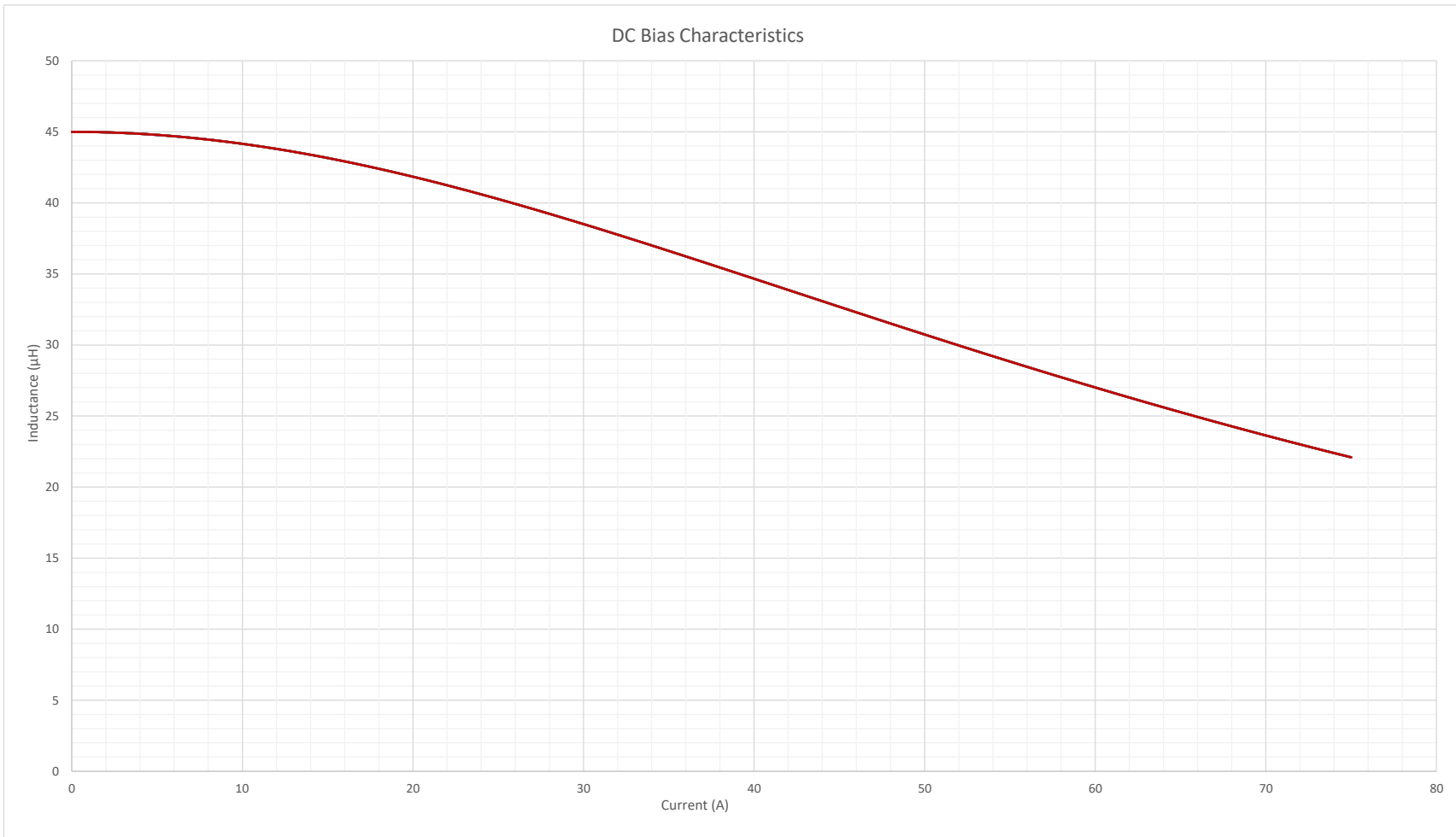
REV

C

WEIGHT: 200 gms

SHEET: 1 OF 2

Rev	Description	By	Date
B	Released for Production	MIG	17-Mar-16
C	Corrected pin dimensions and DC bias graph	AG	17-Sep-20



Notice of Proprietary Property

These drawings and specifications are the property of MPS and shall not be reproduced, copied or used as the basis of manufacture or sale of apparatus without express written authorization



MPS INDUSTRIES, INC.

www.mpsind.com

Tel: (310) 325-1043 Fax: (310) 325-1044

Description

Helical Wound Inductor

Dimensions Unless otherwise specified .XX ± 0.254mm [.010"] .XXX ± 0.13mm [.005"]	DRAWN BY:	MIG	17-Mar-16	SIZE	Part Number	REV
	CHECKED BY:	KC	18-Mar-16	A		
SCALE: X:X					Part Number	REV
					HWI4427-038A-450V	C
			WEIGHT: 200 gms	SHEET: 2 OF 2		