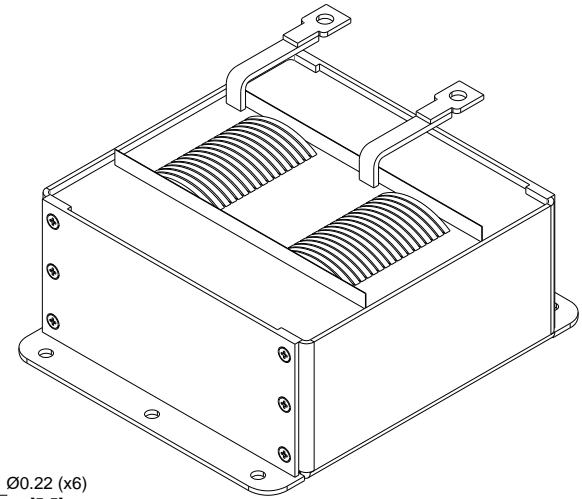
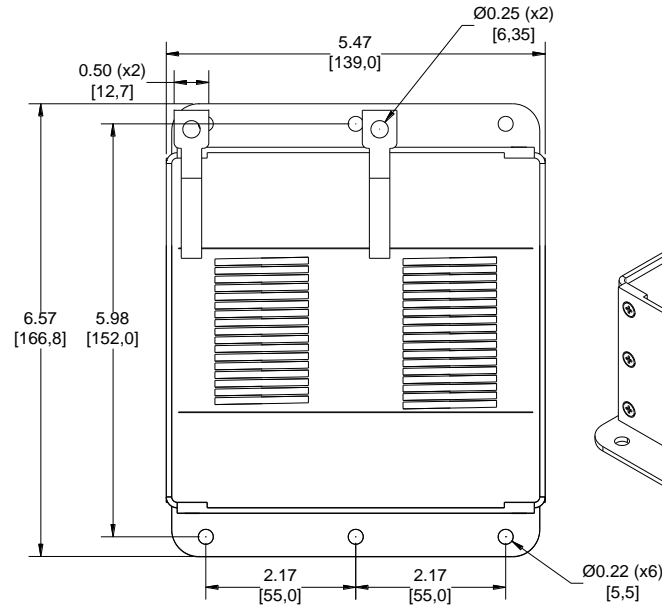


Rev	Description	By	Date
A	Released for production	AG	7-Oct-20

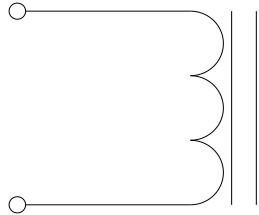
### ELECTRICAL SPECIFICATIONS @ 25°C

L: 740 $\mu$ H $\pm$ 10% @ 10kHz, 1Vrms  
 Isat:  $\Delta$ L $\leq$ 30% @ 55Adc  
 DCR: 11.5m $\Omega$  Max  
 Irms:  $\Delta$ T $\leq$ 40°C @ 58A  
 Hipot: 2kVrms, 1mA Max, 10s (wdg to case)  
 Operating Temp: -40°C to +150°C  
 RoHS Compliant: Yes

### DIMENSIONS

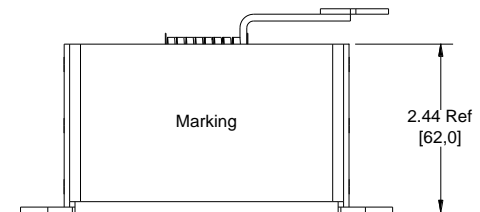
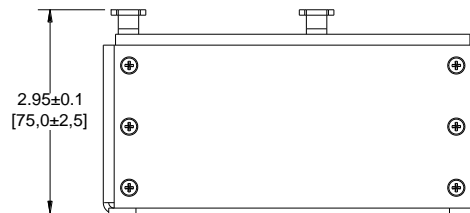


### SCHEMATIC



### MARKING

MPS  
 HWI42P1-055A-741P\_REV#  
 Date Code



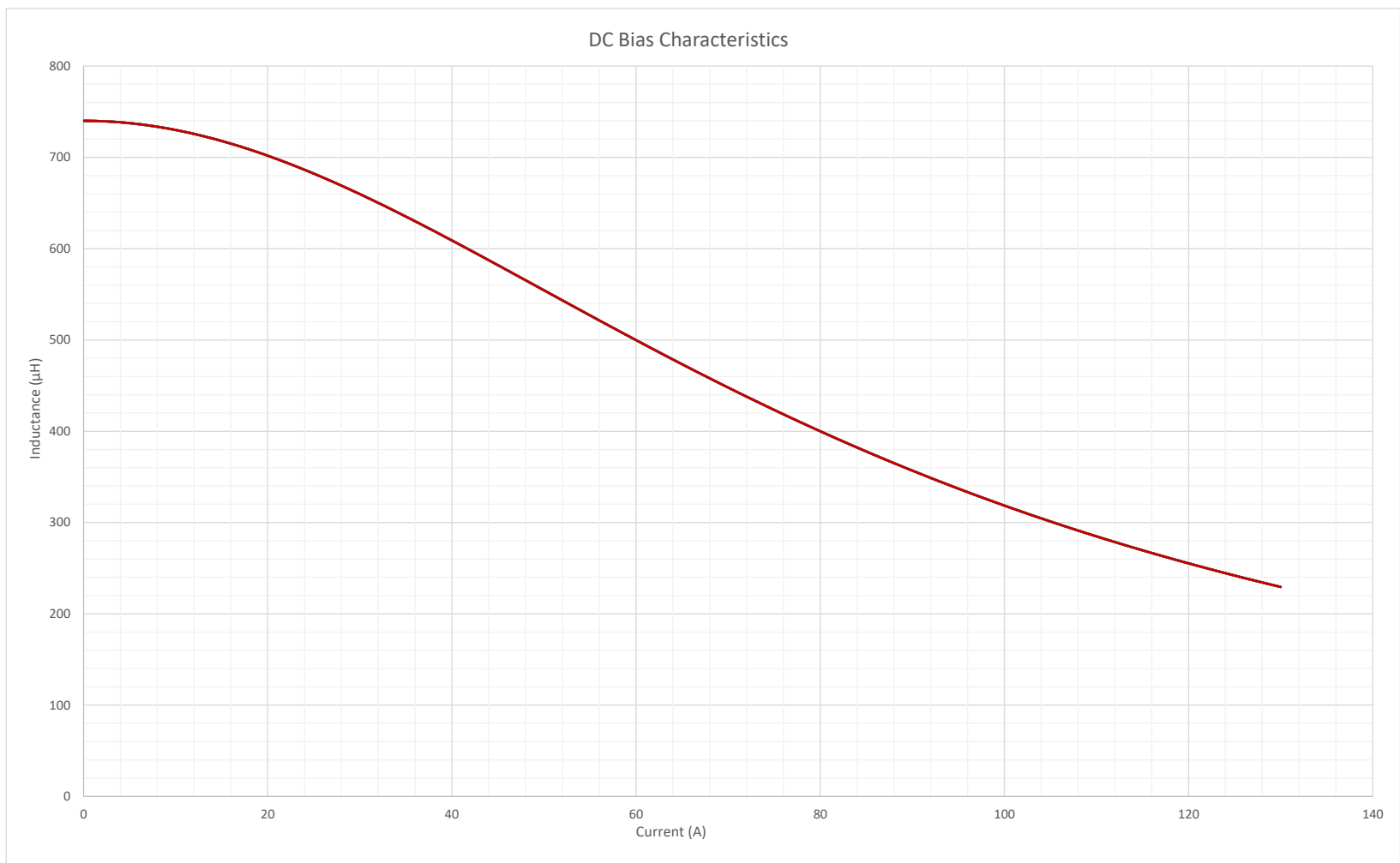
Dimensions: inch/mm

#### Notice of Proprietary Property

These drawings and specifications are the property of MPS and shall not be, reproduced, copied or used as the basis of manufacture of sale of apparatus without express written authorization

<b>Dimensions</b> Unless otherwise specified .XX $\pm$ .010" [0,254mm] .XXX $\pm$ .005 [0,13mm]		DRAWN BY: CHECKED BY:	AG AY	7-Oct-20 8-Oct-20	SIZE <b>A</b>	Description <b>Power Inductor</b> Part Number <b>HWI42P1-055A-741P</b> WEIGHT: XX gms	MPS INDUSTRIES, INC. www.mpsind.com Tel: (310) 325-1043 Fax: (310) 325-1044	REV <b>A</b>
--	--	--------------------------	----------	----------------------	------------------	---	---	-----------------

Rev	Description	By	Date
A	Released for production	AG	7-Oct-20



**Notice of Proprietary Property**

These drawings and specifications are the property of MPS and shall not be, reproduced, copied or used as the basis of manufacture of sale of apparatus without express written authorization

<b>Dimensions</b> Unless otherwise specified .XX ± .010" [0,254mm] .XXX ± .005 [0,13mm]	DRAWN BY: CHECKED BY:	AG AY	7-Oct-20 8-Oct-20
--	--------------------------	----------	----------------------



**MPS INDUSTRIES, INC.**  
www.mpsind.com  
Tel: (310) 325-1043 Fax: (310) 325-1044

Description <b>Power Inductor</b>	
Part Number <b>HWI42P1-055A-741P</b>	REV <b>A</b>
WEIGHT: XX gms      SHEET: 2 OF 2	