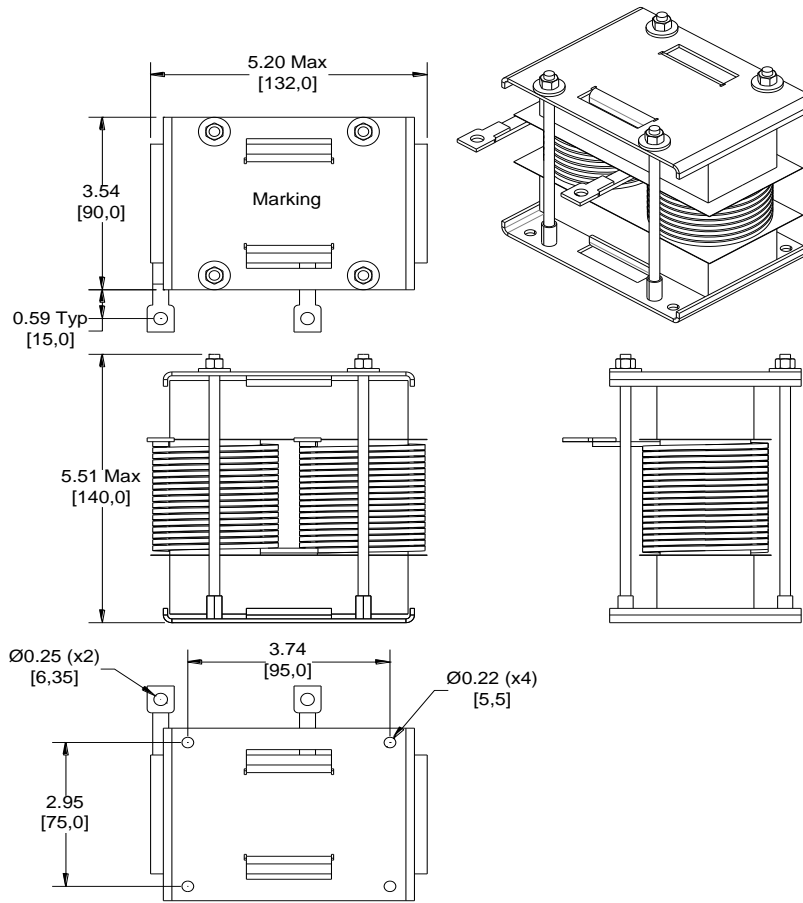


Rev	Description	By	Date
A	Released for production	AG	7-Oct-20

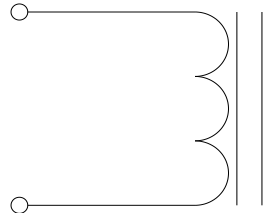
ELECTRICAL SPECIFICATIONS @ 25°C

L: 740μH±10% @ 10kHz, 1Vrms
 Isat: ΔL≤30% @ 55Adc
 DCR: 11.5mΩ Max
 Irms: ΔT≤40°C @ 58A
 Hipot: 2kVrms, 1mA Max, 10s (wdg to bracket)
 Operating Temp: -40°C to +150°C
 RoHS Compliant: Yes

DIMENSIONS



SCHEMATIC




MARKING

MPS
 HWI42P1-055A-741B_REV#
 Date Code

Dimensions: inch/mm

Notice of Proprietary Property
 These drawings and specifications are the property of MPS and shall not be, reproduced, copied or used as the basis of manufacture of sale of apparatus without express written authorization

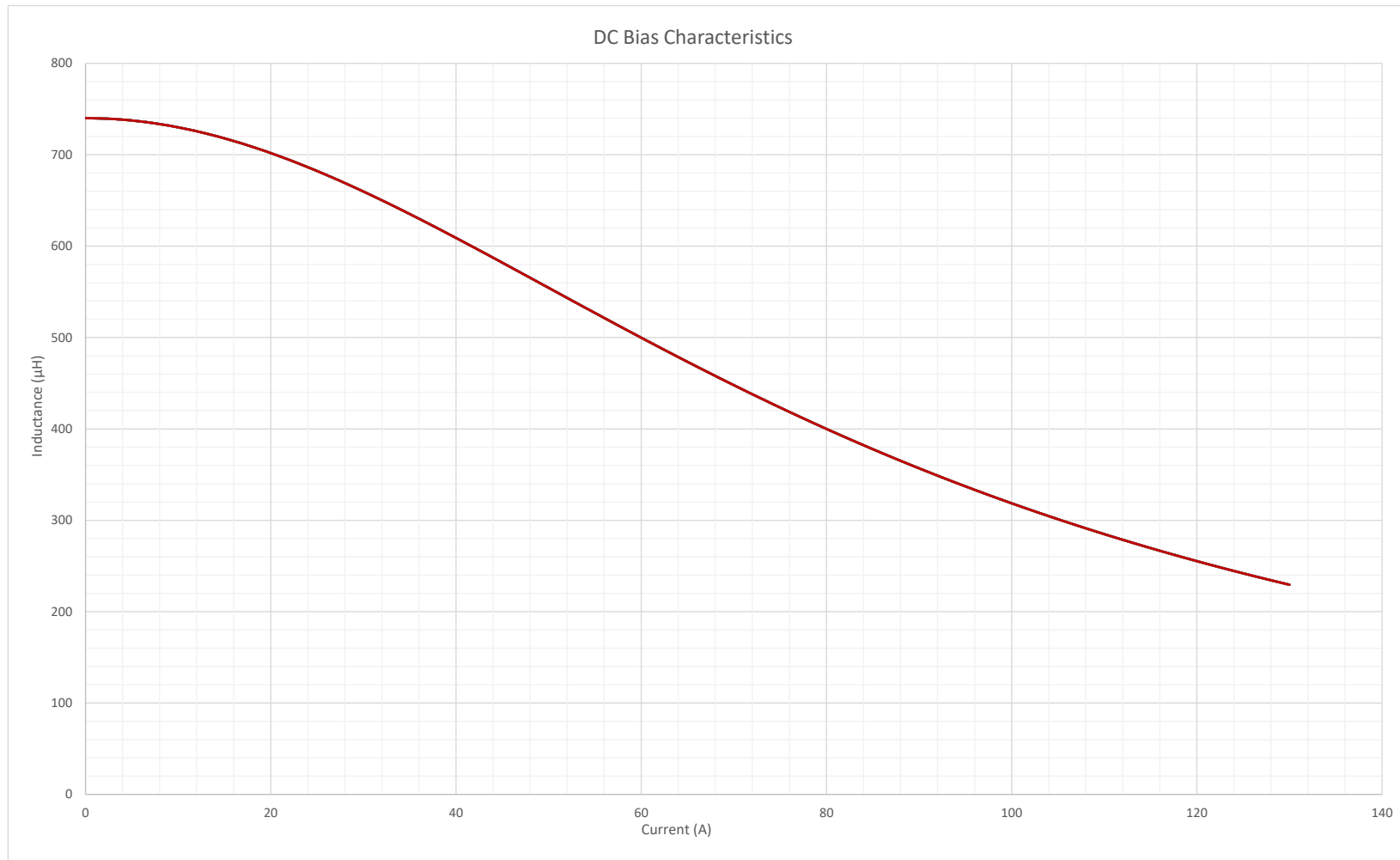
 **MPS INDUSTRIES, INC.**
 www.mpsind.com
 Tel: (310) 325-1043 Fax: (310) 325-1044

Description
Power Inductor

Dimensions Unless otherwise specified .XX ± .010" [0,254mm] .XXX ± .005 [0,13mm]	DRAWN BY: CHECKED BY:	AG AY	7-Oct-20 8-Oct-20	SIZE A	Part Number HWI42P1-055A-741B	REV A
---	--------------------------	----------	----------------------	------------------	---	-----------------

WEIGHT: XX gms SHEET: 1 OF 2

Rev	Description	By	Date
A	Released for production	AG	7-Oct-20




Notice of Proprietary Property
 These drawings and specifications are the property of MPS and shall not be, reproduced, copied or used as the basis of manufacture of sale of apparatus without express written authorization

Dimensions
 Unless otherwise specified
 .XX ± .010" [0,254mm]
 .XXX ± .005 [0,13mm]

DRAWN BY:
 CHECKED BY:

AG 7-Oct-20
 AY 8-Oct-20

SIZE
A

		MPS INDUSTRIES, INC. www.mpsind.com Tel: (310) 325-1043 Fax: (310) 325-1044	
Description			
Power Inductor			
Part Number		REV	
HWI42P1-055A-741B		A	
WEIGHT: XX gms		SHEET: 2 OF 2	