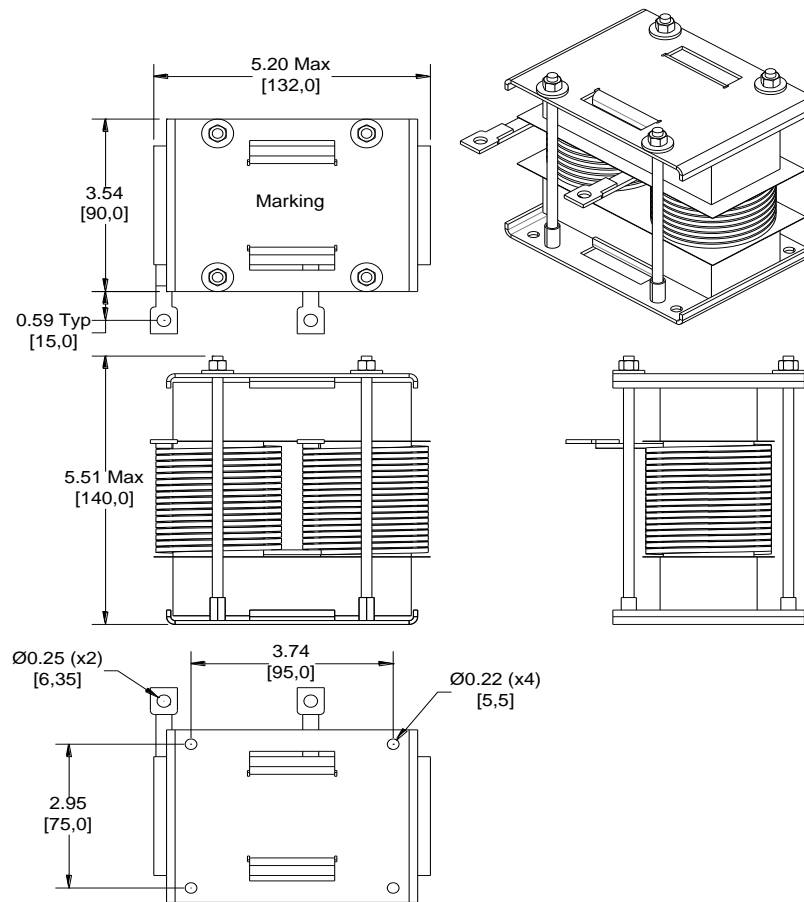


Rev	Description	By	Date
A	Released for production	AG	7-Oct-20

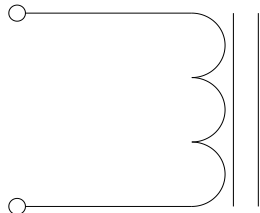
**ELECTRICAL SPECIFICATIONS @ 25°C**

L: 1300μH±10% @ 10kHz, 1Vrms  
 Isat: ΔL≤30% @ 42A dc  
 DCR: 20.5mΩ Max  
 Irms: ΔT≤40°C @ 44A  
 Hipot: 2kVrms, 1mA Max, 10s (wdg to bracket)  
 Operating Temp: -40°C to +150°C  
 RoHS Compliant: Yes

**DIMENSIONS**



**SCHEMATIC**




**MARKING**

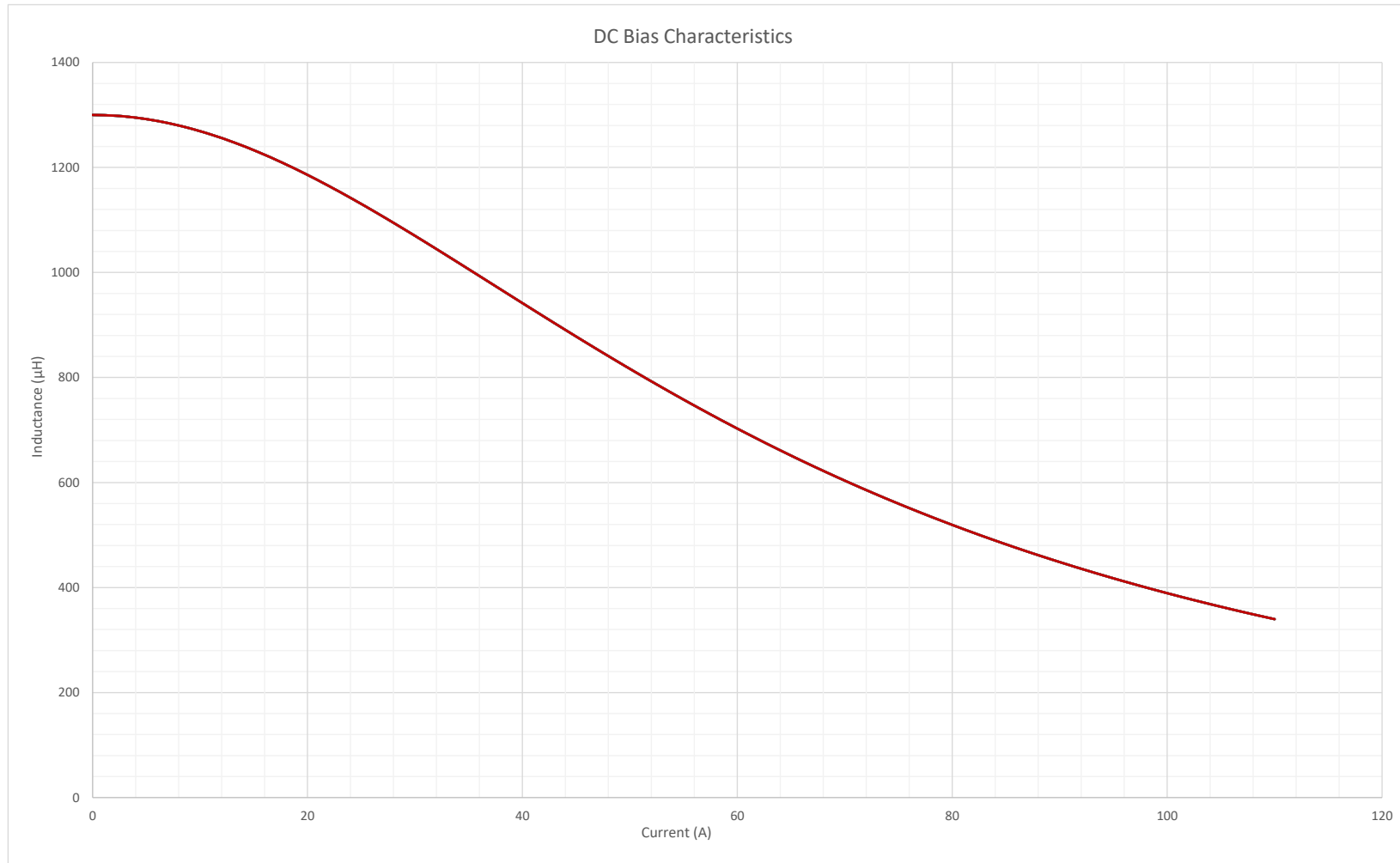
MPS  
 HWI42P1-042A-132B\_REV#  
 Date Code

Dimensions: inch/mm

<b>Notice of Proprietary Property</b> These drawings and specifications are the property of MPS and shall not be, reproduced, copied or used as the basis of manufacture of sale of apparatus without express written authorization			
<b>Dimensions</b> Unless otherwise specified .XX ± .010" [0,254mm] .XXX ± .005 [0,13mm]	DRAWN BY: CHECKED BY:	AG AY	7-Oct-20 8-Oct-20

		<b>MPS INDUSTRIES, INC.</b> www.mpsind.com Tel: (310) 325-1043 Fax: (310) 325-1044	
Description		<b>Power Inductor</b>	
Part Number	<b>HWI42P1-042A-132B</b>		REV
<b>A</b>	WEIGHT: XX gms		<b>A</b>
		SHEET: 1 OF 2	

Rev	Description	By	Date
A	Released for production	AG	7-Oct-20



**Notice of Proprietary Property**  
 These drawings and specifications are the property of MPS and shall not be, reproduced, copied or used as the basis of manufacture of sale of apparatus without express written authorization

**Dimensions**  
 Unless otherwise specified  
 .XX ± .010" [0,254mm]  
 .XXX ± .005 [0,13mm]

DRAWN BY:  
 CHECKED BY:

AG 7-Oct-20  
 AY 8-Oct-20

SIZE  
**A**



**MPS INDUSTRIES, INC.**  
 www.mpsind.com  
 Tel: (310) 325-1043 Fax: (310) 325-1044

Description

**Power Inductor**

Part Number

**HWI42P1-042A-132B**

REV

**A**

WEIGHT: XX gms

SHEET: 2 OF 2