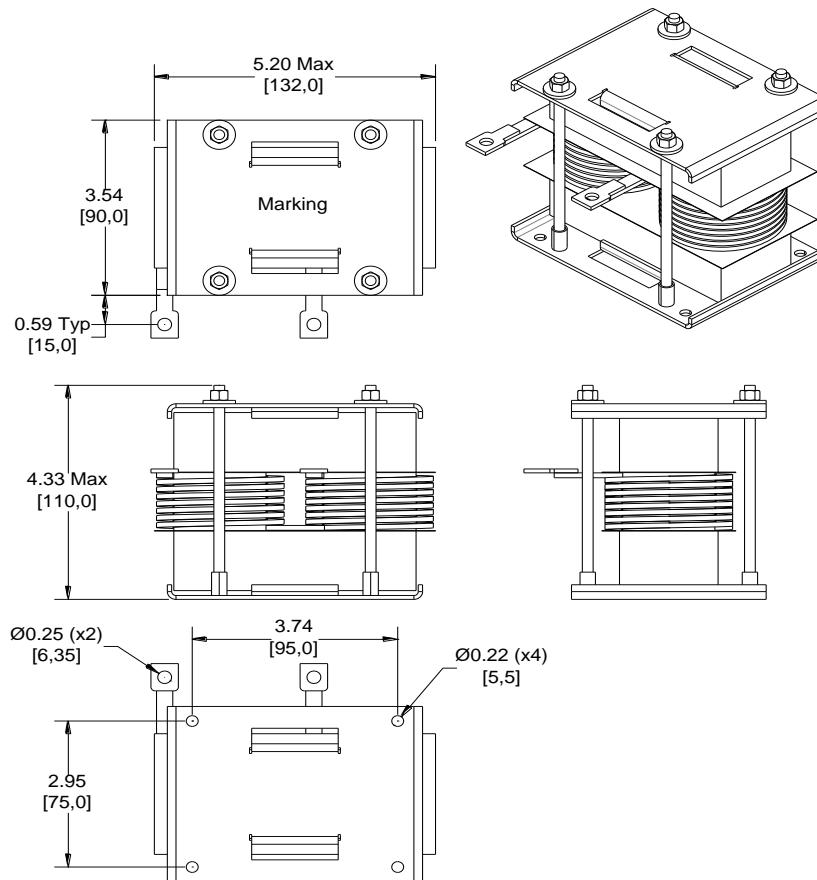


Rev	Description	By	Date
A	Released for production	AG	7-Oct-20

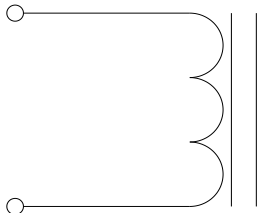
**ELECTRICAL SPECIFICATIONS @ 25°C**

L: 100µH±10% @ 10kHz, 1Vrms  
 Isat: ΔL≤30% @ 133Adc  
 DCR: 3.1mΩ Max  
 Irms: ΔT≤40°C @ 105A  
 Hipot: 2kVrms, 1mA Max, 10s (wdg to bracket)  
 Operating Temp: -40°C to +150°C  
 RoHS Compliant: Yes

**DIMENSIONS**



**SCHEMATIC**




**MARKING**

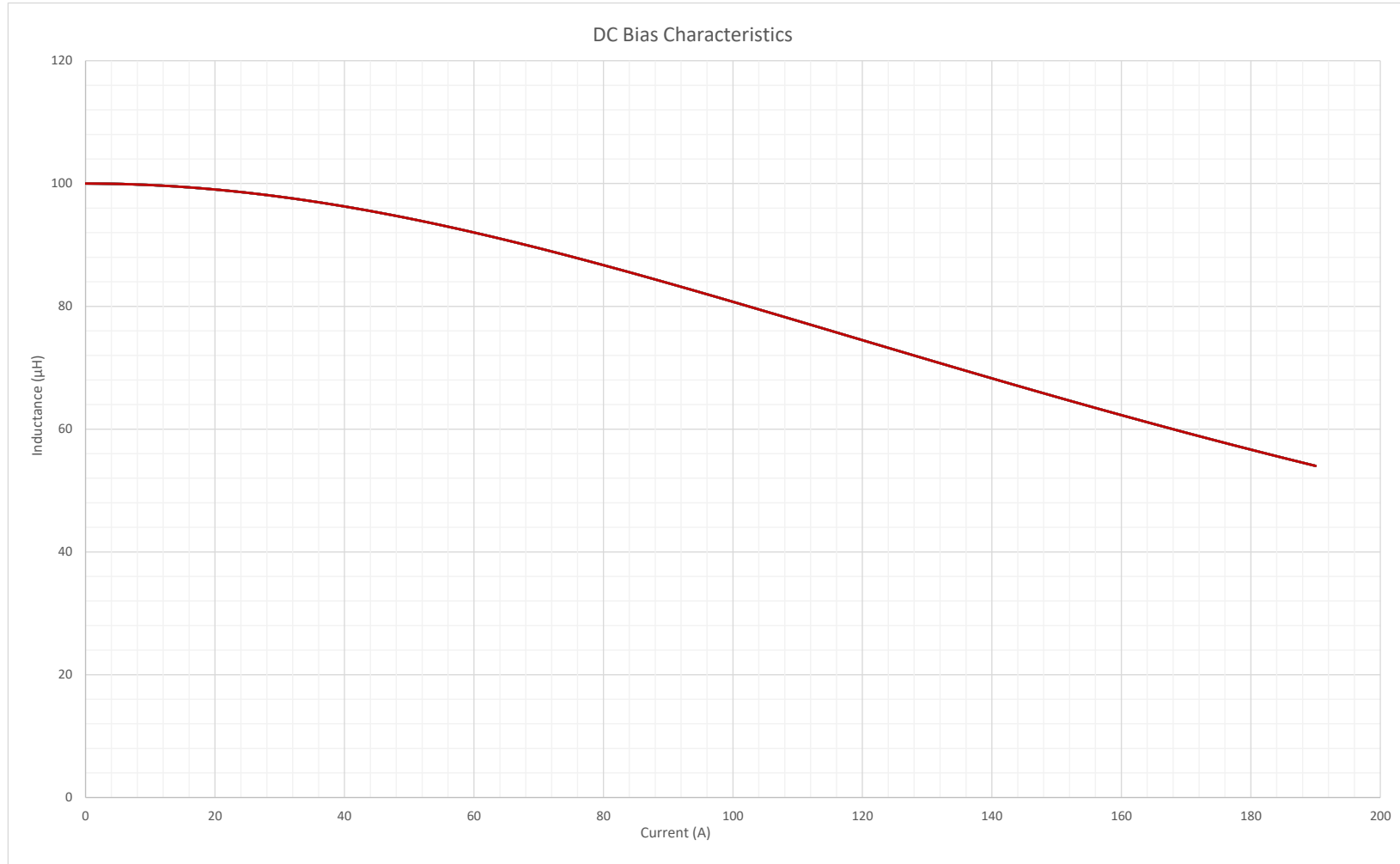
MPS  
 HWI42P1-105A-101B\_REV#  
 Date Code

Dimensions: inch/mm

<b>Notice of Proprietary Property</b> These drawings and specifications are the property of MPS and shall not be, reproduced, copied or used as the basis of manufacture of sale of apparatus without express written authorization			
<b>Dimensions</b> Unless otherwise specified .XX ± .010" [0,254mm] .XXX ± .005 [0,13mm]	DRAWN BY: CHECKED BY:	AG AY	7-Oct-20 8-Oct-20

 <b>MPS INDUSTRIES, INC.</b> www.mpsind.com Tel: (310) 325-1043 Fax: (310) 325-1044		Description	
		<b>Power Inductor</b>	
Part Number	<b>HWI42P1-105A-101B</b>		REV
WEIGHT: XX gms		SHEET: 1 OF 2	

Rev	Description	By	Date
A	Released for production	AG	7-Oct-20



**Notice of Proprietary Property**

These drawings and specifications are the property of MPS and shall not be, reproduced, copied or used as the basis of manufacture of sale of apparatus without express written authorization

<b>Dimensions</b> Unless otherwise specified .XX ± .010" [0,254mm] .XXX ± .005 [0,13mm]	DRAWN BY:	AG	7-Oct-20	SIZE
	CHECKED BY:	AY	8-Oct-20	<b>A</b>



**MPS INDUSTRIES, INC.**  
 www.mpsind.com  
 Tel: (310) 325-1043 Fax: (310) 325-1044

Description		<b>Power Inductor</b>	
Part Number	<b>HWI42P1-105A-101B</b>		REV
WEIGHT: XX gms		SHEET: 2 OF 2	
		<b>A</b>	