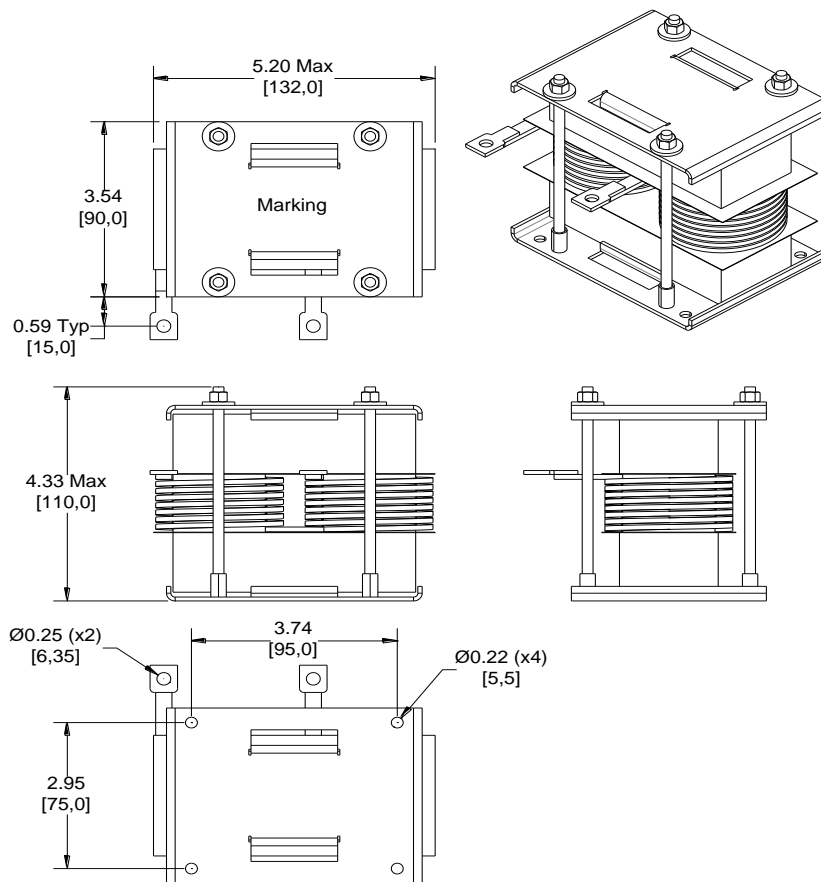


Rev	Description	By	Date
A	Released for production	AG	7-Oct-20

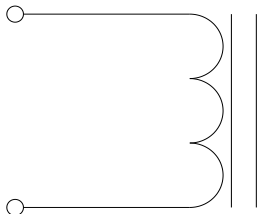
ELECTRICAL SPECIFICATIONS @ 25°C

L: 310μH±10% @ 10kHz, 1Vrms
 Isat: ΔL≤30% @ 75Adc
 DCR: 9mΩ Max
 Irms: ΔT≤40°C @ 61A
 Hipot: 2kVrms, 1mA Max, 10s (wdg to bracket)
 Operating Temp: -40°C to +150°C
 RoHS Compliant: Yes

DIMENSIONS



SCHEMATIC



MARKING

MPS
 HWI42P1-061A-311B_REV#
 Date Code

Dimensions: inch/mm

Notice of Proprietary Property

These drawings and specifications are the property of MPS and shall not be, reproduced, copied or used as the basis of manufacture of sale of apparatus without express written authorization

Dimensions Unless otherwise specified .XX ± .010" [0,254mm] .XXX ± .005 [0,13mm]		DRAWN BY: CHECKED BY:	AG AY	7-Oct-20 8-Oct-20	SIZE A	Description Power Inductor	Part Number HWI42P1-061A-311B	REV A
						WEIGHT: XX gms	SHEET: 1 OF 2	

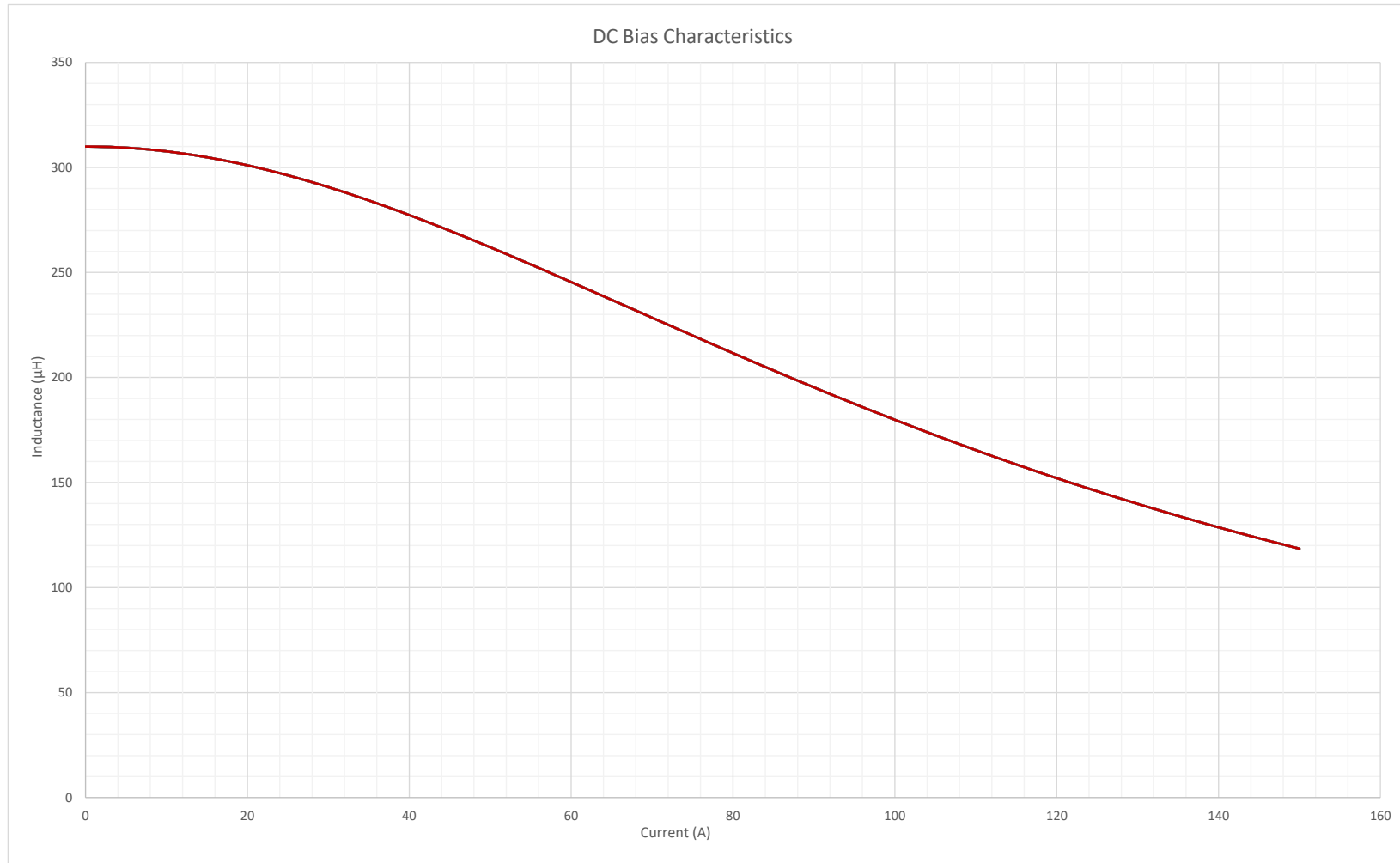


MPS INDUSTRIES, INC.

www.mpsind.com

Tel: (310) 325-1043 Fax: (310) 325-1044

Rev	Description	By	Date
A	Released for production	AG	7-Oct-20



Notice of Proprietary Property
 These drawings and specifications are the property of MPS and shall not be, reproduced, copied or used as the basis of manufacture of sale of apparatus without express written authorization

Dimensions
 Unless otherwise specified
 .XX ± .010" [0,254mm]
 .XXX ± .005 [0,13mm]

DRAWN BY:
 CHECKED BY:

AG 7-Oct-20
 AY 8-Oct-20

SIZE
A



MPS INDUSTRIES, INC.
 www.mpsind.com
 Tel: (310) 325-1043 Fax: (310) 325-1044

Description

Power Inductor

Part Number

HWI42P1-061A-311B

REV

A

WEIGHT: XX gms

SHEET: 2 OF 2