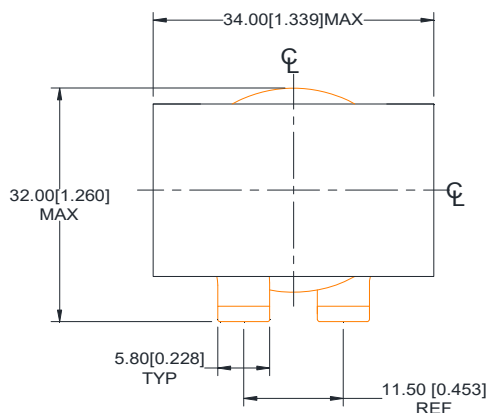


Rev	Description	By	Date
A	Released for Production	KLC	25-Aug-16

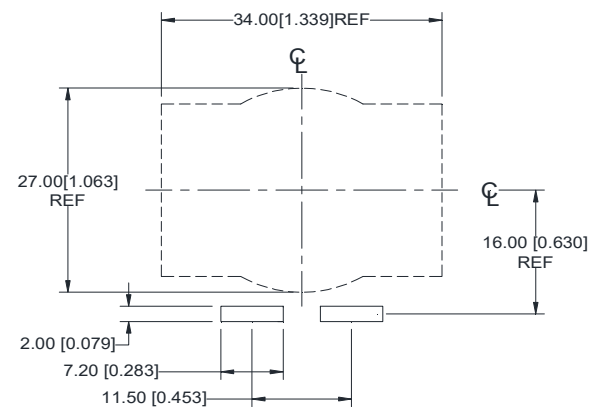
### ELECTRICAL SPECIFICATIONS @ 25°C

**L:** 8.8  $\mu\text{H} \pm 15\%$  @ 100kHz, 1.0 Vrms  
**Isat:**  $\Delta L \leq 10\%$  @ > 86 A  
 $\Delta L \leq 20\%$  @ > 120 A  
 $\Delta L \leq 30\%$  @ > 160 A  
  
**Irms:**  $\Delta T \leq 20^\circ\text{C}$  @ 31 A  
 $\Delta T \leq 40^\circ\text{C}$  @ 47 A  
**DCR:** 2.1 m $\Omega$  Nom ; 2.6 m $\Omega$  Max  
**SRF (TYP)** 35 MHz  
**Capacitance (TYP)** 2.4 pF  
**Hipot:** 1000 Vdc, 1 mA, 5 sec, wdg to core  
**Insulation Class:** Class H 180 °C  
**RoHS Compliant:** Yes

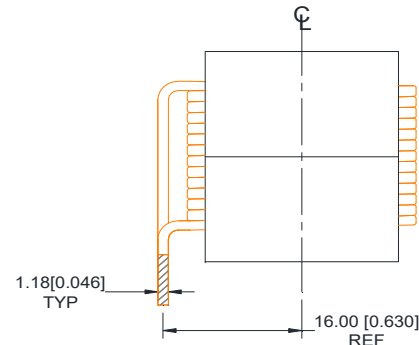
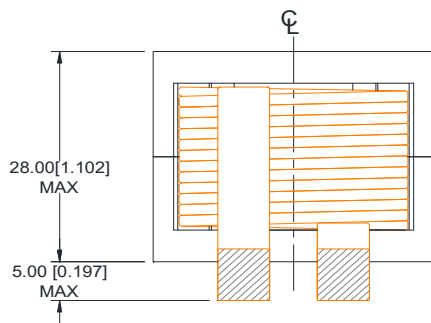
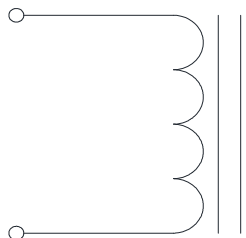
### Dimensions



### Recommended PCB Layout



### SCHEMATIC



### MARKING

MPS  
 HWI3428-047A-8R8H Rev  
 Date Code

#### Notice of Proprietary Property

These drawings and specifications are the property of MPS and shall not be reproduced, copied or used as the basis of manufacture of sale of apparatus without express written authorization

<b>Dimensions: mm[inch]</b> Unless otherwise specified .XX $\pm$ 0.51[0.020"] .XXX $\pm$ 0.254[0.010"]	DRAWN BY: CHECKED BY:	KLC AG	15-Aug-16 25-Aug-16	SIZE <b>A</b>
---	--------------------------	-----------	------------------------	------------------



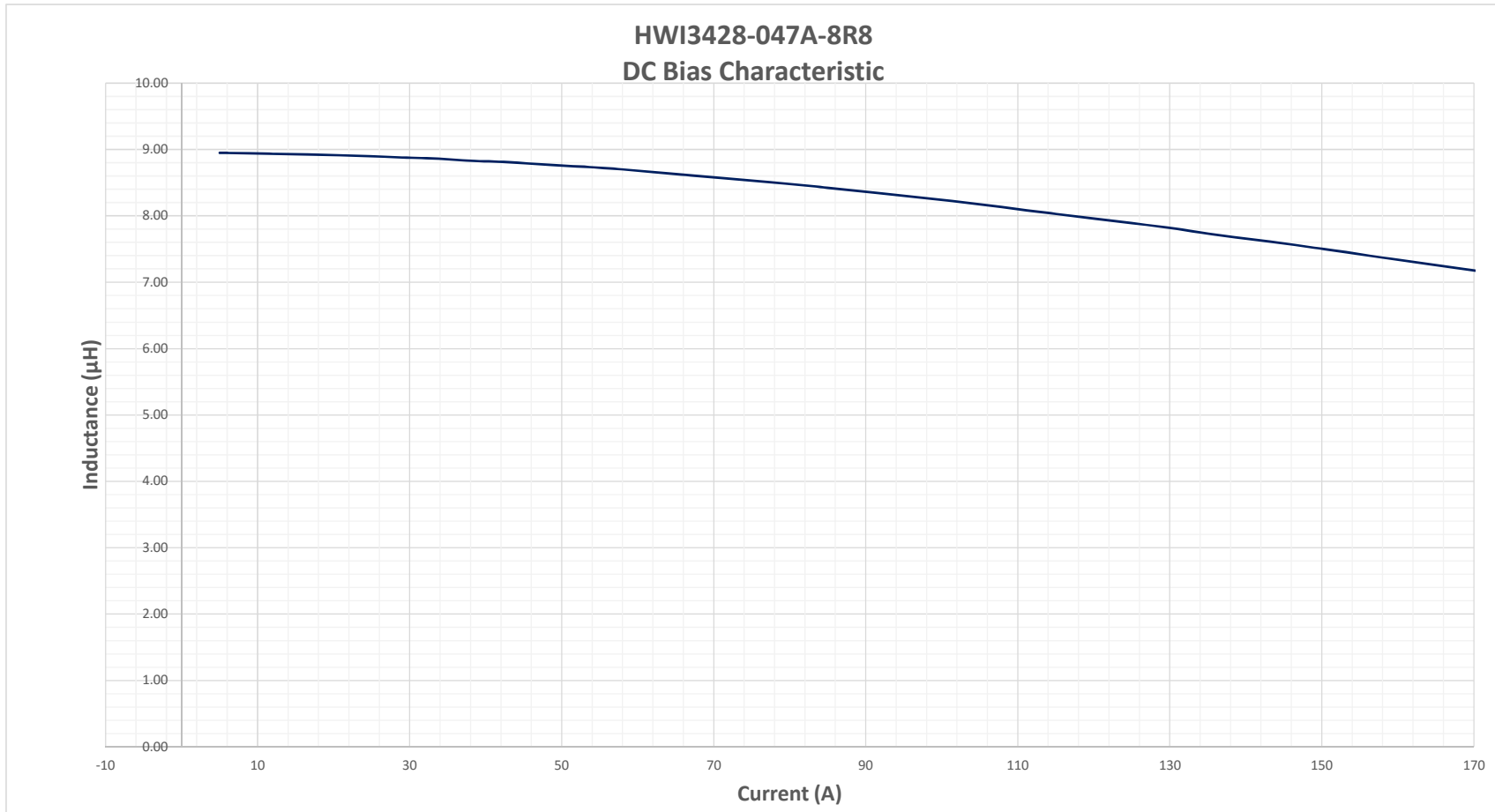
MPS INDUSTRIES, INC.

[www.mpsind.com](http://www.mpsind.com)

Tel: (310) 325-1043 Fax: (310) 325-1044

Description	<b>Helical Wound Inductor</b>		
Part Number	<b>HWI3428-047A-8R8H</b>		
WEIGHT:	130 gram	SHEET:	1 OF 2
REV	<b>A</b>		

Rev	Description	By	Date
A	Released for Production	KLC	25-Aug-16



**Notice of Proprietary Property**

These drawings and specifications are the property of MPS and shall not be reproduced, copied or used as the basis of manufacture of sale of apparatus without express written authorization

**Dimensions: mm[inch]**

Unless otherwise specified  
 .XX ± 0.51[0.020"]  
 .XXX ± 0.254[0.010"]

DRAWN BY:  
CHECKED BY:

KLC  
AG  
15-Aug-16  
25-Aug-16

SIZE  
**A**

Part Number

**HWI3428-047A-8R8H**

REV

**A**

SHEET: 2 OF 2



**MPS INDUSTRIES, INC.**

[www.mpsind.com](http://www.mpsind.com)

Tel: (310) 325-1043 Fax: (310) 325-1044

Description

**Helical Wound Inductor**