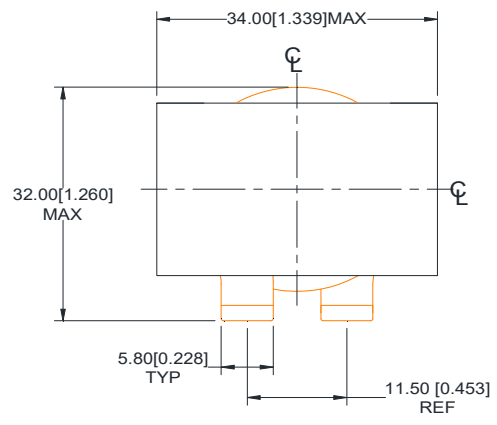


Rev	Description	By	Date
A	Released for Production	KLC	25-Aug-16

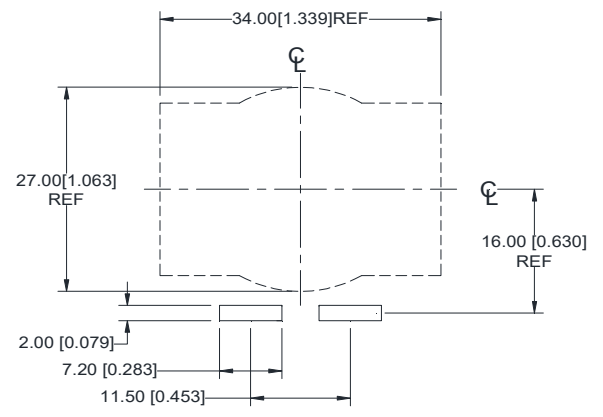
**ELECTRICAL SPECIFICATIONS @ 25°C**

L: 10.0 μH±15% @ 100kHz, 1.0 Vrms  
 Isat: ΔL ≤ 10% @ > 86 A  
 ΔL ≤ 20% @ > 120 A  
 ΔL ≤ 30% @ > 160 A  
 Irms: ΔT ≤ 20°C @ 31 A  
 ΔT ≤ 40°C @ 47 A  
 DCR: 2.2 mΩ Nom ; 2.8 mΩ Max  
 SRF (TYP) 25 MHz  
 Capacitance (TYP) 4.1 pF  
 Hipot: 1000 Vdc, 1 mA, 5 sec, wdg to core  
 Insulation Class: Class H 180 °C  
 RoHS Compliant: Yes

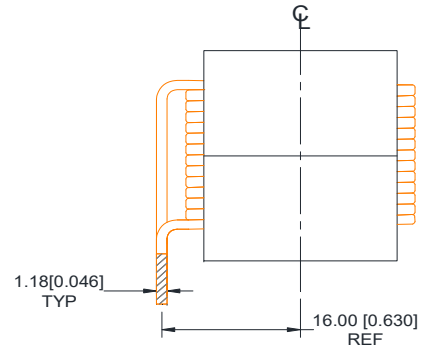
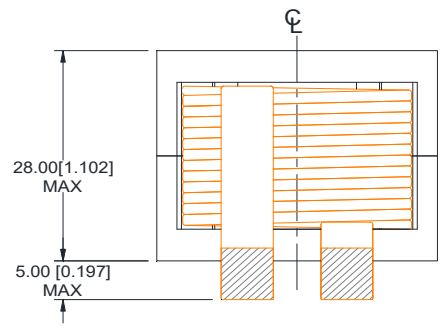
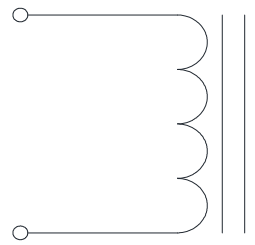
**Dimensions**



**Recommended PCB Layout**



**SCHEMATIC**




**MARKING**

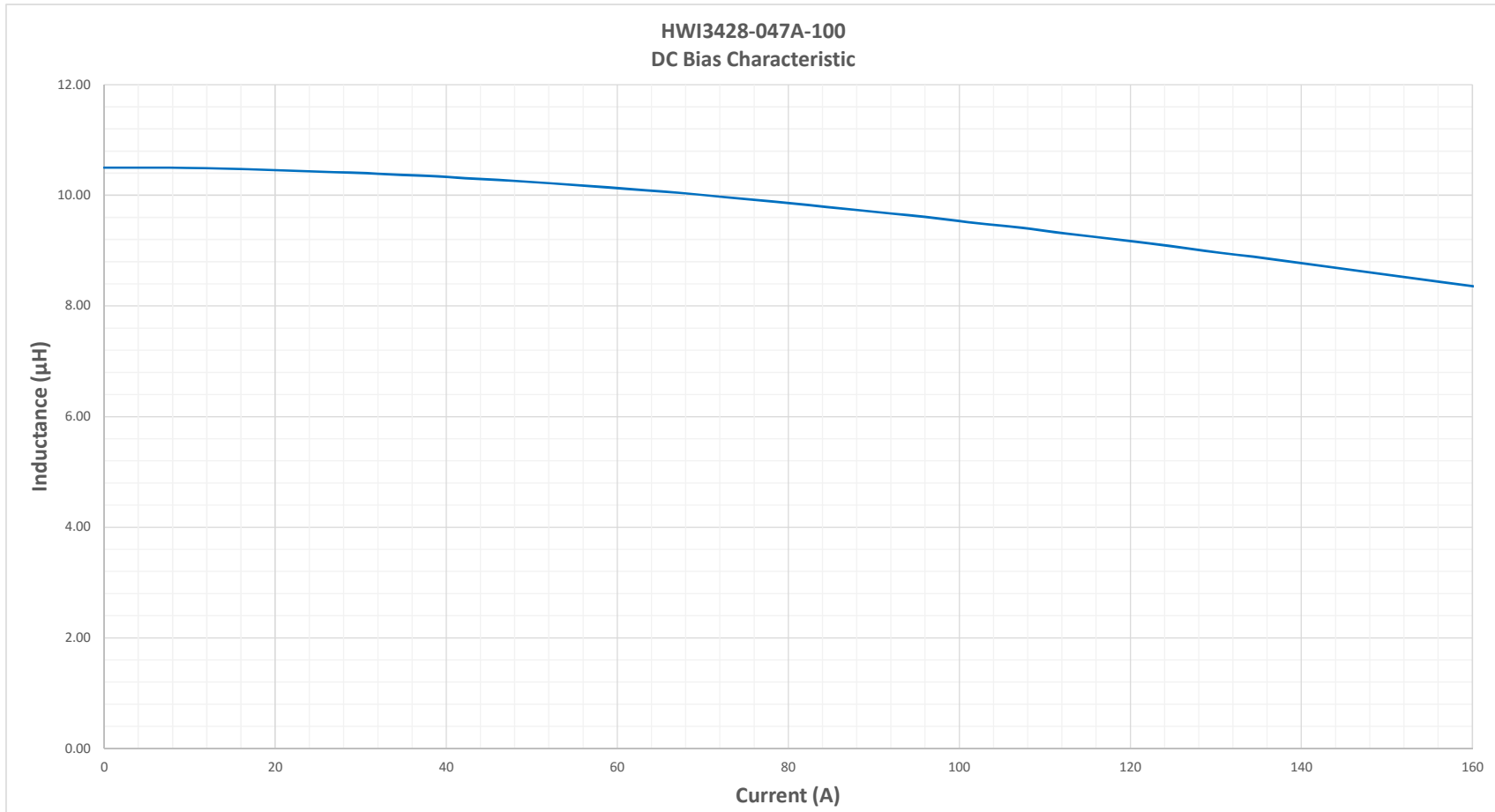
MPS  
 HWI3428-047A-100H Rev  
 Date Code

**Notice of Proprietary Property**  
 These drawings and specifications are the property of MPS and shall not be reproduced, copied or used as the basis of manufacture of sale of apparatus without express written authorization

<b>Dimensions: mm[inch]</b> Unless otherwise specified .XX ± 0.51[0.020"] .XXX ± 0.254[0.010"]	DRAWN BY: CHECKED BY:	KLC AG	15-Aug-16 25-Aug-16	SIZE <b>A</b>
---	--------------------------	-----------	------------------------	------------------

		<b>MPS INDUSTRIES, INC.</b> <a href="http://www.mpsind.com">www.mpsind.com</a> Tel: (310) 325-1043 Fax: (310) 325-1044	
Description			
<b>Helical Wound Inductor</b>			
Part Number		REV	
<b>HWI3428-047A-100H</b>		<b>A</b>	
WEIGHT: 135 gram		SHEET: 1 OF 2	

Rev	Description	By	Date
A	Released for Production	KLC	25-Aug-16



**Notice of Proprietary Property**

These drawings and specifications are the property of MPS and shall not be reproduced, copied or used as the basis of manufacture of sale of apparatus without express written authorization

**Dimensions: mm[inch]**

Unless otherwise specified  
 .XX ± 0.51[0.020"]  
 .XXX ± 0.254[0.010"]

DRAWN BY:  
CHECKED BY:

KLC  
AG  
15-Aug-16  
25-Aug-16

SIZE  
**A**



**MPS INDUSTRIES, INC.**  
[www.mpsind.com](http://www.mpsind.com)  
 Tel: (310) 325-1043 Fax: (310) 325-1044

Description

**Helical Wound Inductor**

Part Number

**HWI3428-047A-100H**

REV

**A**