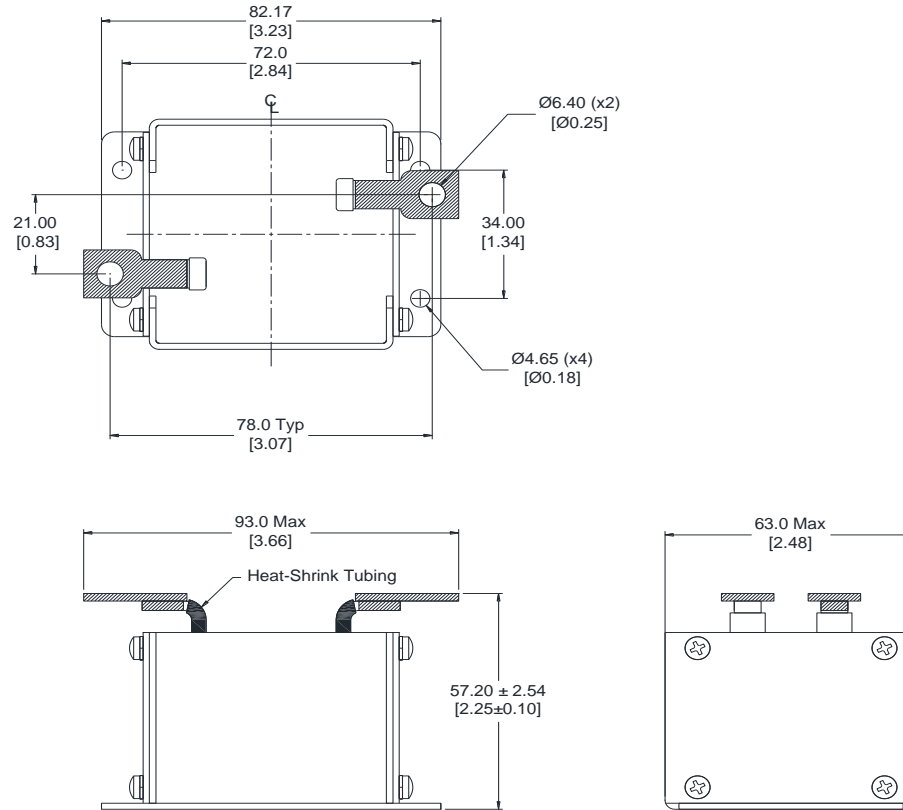


Rev	Description	By	Date
C	Updated to new enclosure	MIG	11-Apr-16
D	Updated inductance to +/-15%	AG	30-Dec-19

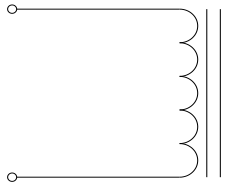
ELECTRICAL SPECIFICATIONS @ 25°C

L: 26µH±15% @ 100kHz, 1Vrms
 Isat: ΔL≤10% @ 55A
 ΔL≤20% @ 83A
 ΔL≤30% @ 107A
 Irms: ΔT≤20°C @ 67A
 ΔT≤40°C @ 101A
 DCR: 1.5mΩ Max
 SRF: 11.5MHz Typ
 Hipot: 2kVdc, 1mA Max, 10s (wdg to case)
 Insulation Class: Class H, 180°C Min
 RoHS Compliant: Yes

DIMENSIONS



SCHEMATIC




MARKING

MPS
 H1300-260
 Date Code

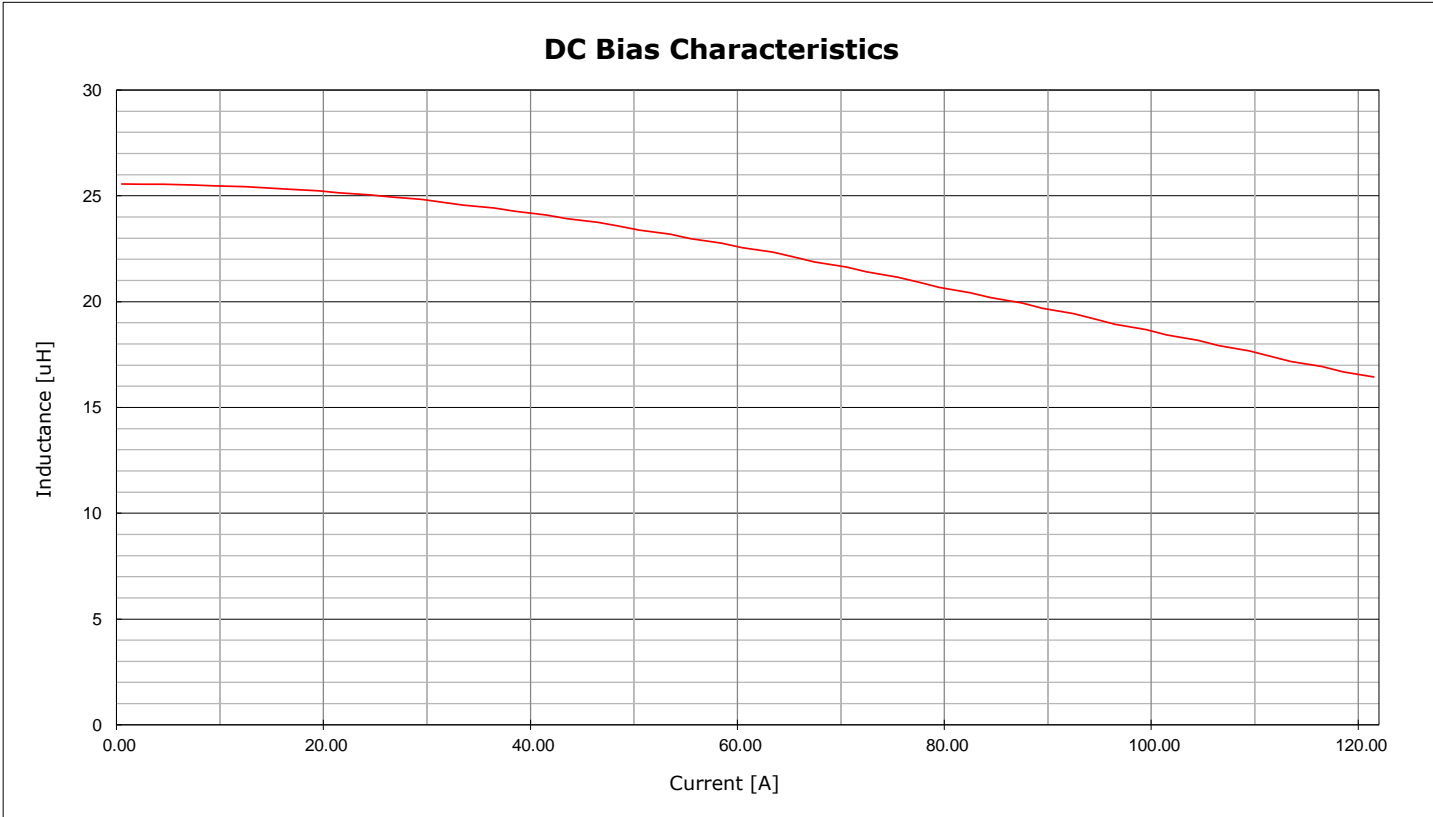
Dimensions: mm/[inch]

Notice of Proprietary Property These drawings and specifications are the property of MPS and shall not be, reproduced, copied or used as the basis of manufacture of sale of apparatus without express written authorization			
Dimensions Unless otherwise specified .XX ± .254mm [0,010"] .XXX ± .013mm [0,005"]	DRAWN BY: CHECKED BY:	MIG AG	12-Feb-16 16-Feb-16


 MPS INDUSTRIES, INC. www.mpsind.com Tel: (310) 325-1043 Fax: (310) 325-1044		Description	
		High Power Inductor	
Part Number	H1300-260		REV
WEIGHT: 800 gms		SHEET: 1 OF 2	

Rev	Description	By	Date
C	Updated to new enclosure	MIG	11-Apr-16
D	Updated inductance to +/-15%	AG	30-Dec-19

DC BIAS



Notice of Proprietary Property
 These drawings and specifications are the property of MPS and shall not be, reproduced, copied or used as the basis of manufacture of sale of apparatus without express written authorization

		MPS INDUSTRIES, INC. www.mpsind.com Tel: (310) 325-1043 Fax: (310) 325-1044			
		Description <p style="text-align: center;">High Power Inductor</p>			
Dimensions Unless otherwise specified .XX ± .254mm [0,010"] .XXX ± .013mm [0,005"]	DRAWN BY: CHECKED BY:	MIG AG	12-Feb-16 16-Feb-16	Part Number <p style="text-align: center;">H1300-260</p>	REV <p style="text-align: center;">D</p>
SCALE: X:X		WEIGHT: 800 gms		SHEET: 2 OF 2	