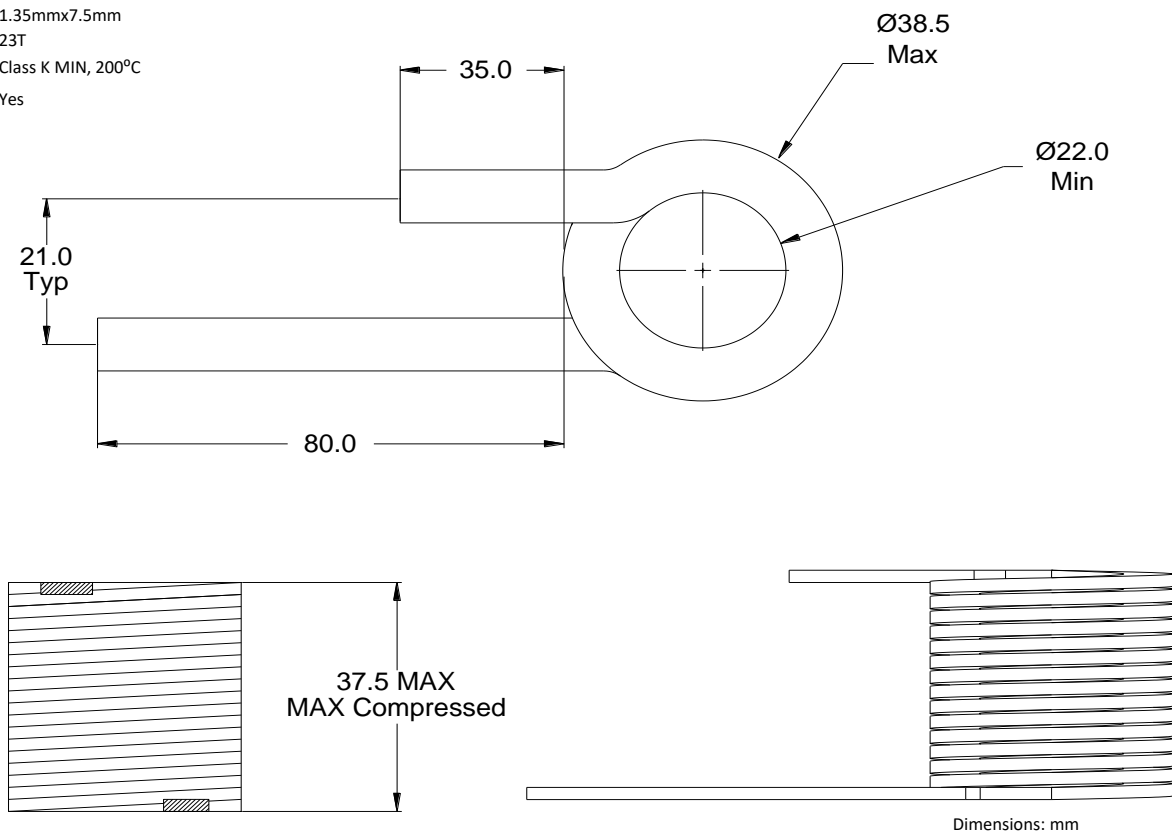


Rev	Description	By	Date
1	Preliminary	MIG	1-Mar-16
2	Extended bottom lead to 80mm	SO	2-Aug-22


NOTES:

Wire Size: 1.35mmx7.5mm
 Turns Number: 23T
 Insulation Class: Class K MIN, 200°C
 RoHS Compliant: Yes

DIMENSIONS



Notice of Proprietary Property
 These drawings and specifications are the property of MPS and shall not be, reproduced, copied or used as the basis of manufacture or sale of apparatus without express written authorization

 **MPS INDUSTRIES, INC.**
www.mpsind.com
 Tel: (310) 325-1043 Fax: (310) 325-1044

Description
HEW Coil 1.35 mm x 7.50 mm Ø 22.0 mm 23 Turns

Dimensions Unless otherwise specified .XX ± .010" [0,254mm] .XXX ± .005" [0,13mm]	DRAWN BY: CHECKED BY:	AG SO	10-May-18 3-Aug-22	SIZE A	Part Number 305-135075-220-23	REV 2
---	--------------------------	----------	-----------------------	------------------	---	-----------------

WEIGHT: XX gms	SHEET: 1 OF 1
----------------	---------------